

insee go

Skyus 300 and Skyus 500

Product Summary

May 2019

*Contact your Insee go Channel Manager
for the full-length versions of this presentation*



Skyus 300

Skyus 300 and 500 – Target Markets

Horizontal Product, Suitable for Numerous Vertical Markets



Skyus 500



Emergency Response/ Public Safety

- Police
- Fire
- Ambulance
- Private Security
- State/Federal Government
- Covert/Overt Monitoring
- Surveillance



Public/Private Transport

- City Transit
- County Transit
- Private Transit
- Public/Private Taxi
- Motorcoach/RV
- Delivery/Courier
- Field Technicians



Connected Infrastructure/ Remote Enclosures

- Connected Utility Stations (Water/Electric/Oil/Gas)
- EV Charging Stations
- Traffic Management
- Telecom/Building Infrastructure
- Construction Jobsite
- Road Monitoring
- Parking Services

Skyus 300 and 500 - Opportunity Scenarios

Connected Vehicles / First Responders

Work Environment - Police, Fire and Ambulance or other fleet vehicles that require wireless or wired internet in the field.

Product Considerations – Local and remote GPS reporting / streaming, WI-FI 802.11 AC Wave 2 supporting higher network speeds and larger WI-FI bubble, support for WIFI Station Mode (Client mode / WIFI as WAN), and multiple Ethernet ports. A rugged device that can handle high heat and vehicle vibration. Additional considerations include multiple carrier, FirstNet, speed (modem category), and programmable features.

Surveillance/Camera Systems

Work Environment - In a vehicle, an enclosure or is tethered. High speeds are critical if streaming live as well as downloading video remotely.

Product Considerations - Ethernet and POE. If housed in an enclosure or vehicle, ability to handle heat is required.

Public Transportation

Work Environment – Mobile Vehicles with multiple users and typically high bandwidth.

Product Considerations – Rugged unit suitable for a mobile environment. Multi-carrier capability, high speed, WiFi and Ethernet connections, remote cloud management, and GPS. An added plus would be the ability to dock a second modem for additional connectivity.

Construction Trailers/Remote Onsite Job Sites

Work Environment - Remote locations needing internet where a hard wire connection is not available.

Product Considerations – Multiple Ethernet ports along with WiFi is optimal. Multiple carrier is preferred to accommodate various remote sites with different level carrier options. A rugged design is critical.

SCADA (Supervisory control and data acquisition) or utility solutions

Work Environment - Product is typically used at the edge to provide connectivity for monitoring and transferring data packets.

Product Considerations - Supports IP Enabled Scada hardware i.e. PLC. Rugged design is critical, support for multiple WAN interfaces is preferred. A lower speed product is sufficient. Reliability is important to minimize the need to access the modem for troubleshooting. IP Rating is often required as is Class 1 Div. 2 as is often the case with oil and gas.

Skyus 300 Key Selling Points

- Fast Now: Built for speed with Cat-18 4G LTE-A Pro connectivity
- Future Ready: Industry-leading gigabit LTE technology with 5CA and 256 QAM
- Primed to support 5G NR with external Skyus or MiFi device
- Worlds most compact gigabit router
- Enterprise-grade security with VPN, robust firewall, encryption, and RADIUS authentication
- USB to support external plug-in USB modems (Skyus DS2 and Skyus SC)
- Proven reliability and expertise leveraging 32M MiFi devices shipped
- Inseego's IoT Connect™ cloud platform provides 360 degree visibility & secure accessibility

Skyus 500 Key Selling Points

- Fast Now: Built for speed with Cat-18 4G LTE-A Pro connectivity
- Future Ready: Industry-leading LTE technology with 5CA, 256 QAM, and CBRS/LAA support
- Future Ready: Future support for Skyus or MiFi 5G NR devices
- Industry leading cellular Rx and Tx with 4x4 MIMO LTE and 2x2 MIMO CBRS/LAA
- Enterprise-grade security with IPsec VPN, firewall, encryption, and authentication
- USB and PoE to support and power external devices
- Proven reliability and expertise leveraging 32M MiFi devices shipped
- Inseego's IoT Connect™ cloud platform provides secure remote visibility and management

Skyus 300 – Speeds and Feeds

Compact Gigabit IP64 Router for IIoT

Skyus 300V (Verizon Only)

LTE: B2, B3, B4, B5, B7, B13, B14, B20, B28, B42 (TD, CBRS 3500), B46 (TD, LAA), B48 (TD, CBRS 3600), B66

Skyus 300G (Global – Coming Soon)

LTE: B1, B2, B3, B4, B5, B7, B12, B13, B14, B17, B18, B19, B20, B25, B26, B28, B29, B30, B38, B39, B40, B41, B42 (TD, CBRS 3500), B46 (TD, LAA), B48 (TD, CBRS 3600), B66



WiFi

802.11 b/g/n/ac WAVE 2
2x2 2.4 and 5 GHz Radios
Dual Concurrent, 128 Clients
Client and Station Mode



GNSS

aGPS, Galileo, GLONASS, Dead Reckoning, Store and Forward



Bluetooth

(Future Release)
BT 5.0, BLE LR, MESH
Sensor Integration, Site Survey



Inseego IoT Connect

Secure Cloud Connectivity

Device Visibility and Management
Customizable Dashboards
Customizable Alerts and Alarms
Industry Leading Security



FirstNet LTE B14 Support

(Available with Skyus 300G)
Designed to meet the ruggedized requirements of first responder use cases



Industrial Grade

IP64
SAE J1455
MIL-STD 810G



USB

USB 2.0 Type A Host
Power External DS2



Ethernet

2x WAN/LAN
10/100/1000 RJ45



Serial

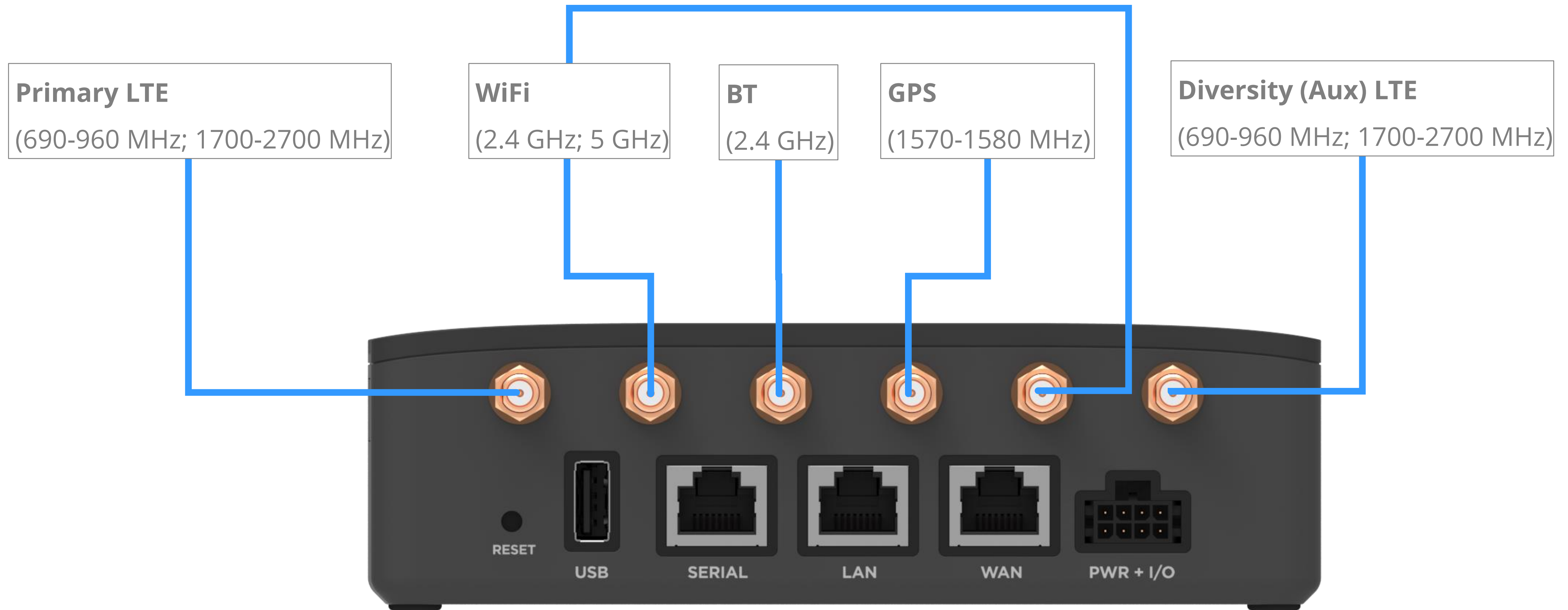
Serial over RJ45
Supports RS232 and RS485
OOBM



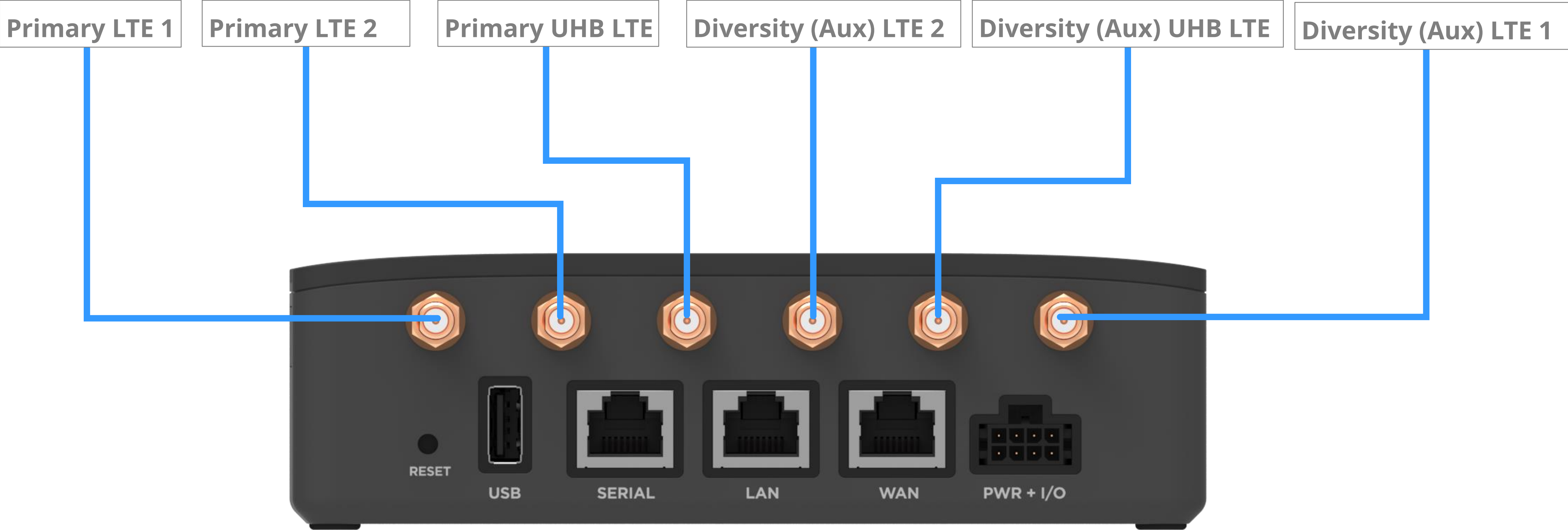
Power/I/O

8-pin Latching Connector
Power via AC adapter
Ignition Sense and GPIO

Skyus 300 – Mobile Antenna Configuration



Skyus 300 – Fixed Antenna Configuration



Skyus 500 – Speeds and Feeds

Compact Gigabit IP64 Router for IIoT



Skyus 500V (Verizon Only)
 LTE: B2, B3, B4, B5, B7, B13, B14, B20, B28, B42 (TD, CBRS 3500), B46 (TD, LAA), B48 (TD, CBRS 3600), B66

Skyus 500G (Global)
 LTE: B1, B2, B3, B4, B5, B7, B12, B13, B14, B17, B18, B19, B20, B25, B26, B28, B29, B30, B38, B39, B40, B41, B42 (TD, CBRS 3500), B46 (TD, LAA), B48 (TD, CBRS 3600), B66

WiFi
 802.11 b/g/n/ac WAVE 2
 2x2 2.4 and 5 GHz Radios
 Dual Concurrent, 128 Clients
 Client and Station Mode

GNSS
 aGPS, Galileo, GLONASS, Dead Reckoning, Store and Forward

Bluetooth
 (Future Release)
 BT 5.0, BLE LR, MESH
 Sensor Integration, Site Survey



Inseego IoT Connect
Secure Cloud Connectivity
 Device Visibility and Management
 Customizable Dashboards
 Customizable Alerts and Alarms
 Industry Leading Security



FirstNet LTE B14 Support
 (Available with Skyus 500G)
 Designed to meet the ruggedized requirements of first responder use cases

Industrial Grade
 IP64
 SAE J1455
 MIL-STD 810G

USB
 USB 2.0 Type A Host
 → External USB WAN Modem
 → USB Mass Storage

Serial
 Serial over RJ45
 Supports RS232 and RS485

Ethernet
 3x LAN/WAN
 10/100/1000 RJ45

POE
 1x WAN/LAN + POE
 802.3at 15.4W
 10/100/1000 RJ45
 → External WAN Modems
 → PoE Cameras

Power/IO
 8-pin Latching Connector
 Power via DC Cable (Included) or AC Adapter (Optional)
 Ignition Sense and GPIO

Skyus 300 and Skyus 500 Comparison



Attribute	Skyus 300 (Mobile)	Skyus 300 (Fixed)	Skyus 500
MSRP	\$799	\$799	\$999
Cellular	Cat-18 LTE 600 Gbps/150 Mbps	Cat-18 LTE 1.2 Gbps/150 Mbps	Cat-18 LTE 1.2 Gbps/150 Mbps
Weight	0.93 kg	0.93 kg	1.2 kg
Dimensions	121.5 x 155.7 x 47.1 mm	121.5 x 155.7 x 47.1 mm	210 x 123 x 42 mm
CBRS/LAA	N/A	CBRS + LAA	CBRS + LAA
WiFi	a/b/g/n/ac WAVE 2, 2x2, Dual Concurrent	N/A	a/b/g/n/ac WAVE 2, 2x2, Dual Concurrent
Bluetooth	BT 5.0, BLE LR, MESH, Store and Forward	N/A	BT 5.0, BLE LR, MESH, Store and Forward
GPS	aGPS, a GNSS, Local/Remote Port, Dead Reckoning, Store and Forward	N/A	aGPS, a GNSS, Local/Remote Port, Dead Reckoning, Store and Forward
Ethernet	1x LAN, 1x WAN 10/100/1000 RJ45	1x LAN, 1x WAN 10/100/1000 RJ45	3x LAN, 1x WAN/POE 10/100/1000 RJ45
Power over Ethernet	N/A	N/A	1x 802.3af PoE RJ45 Port
USB	1x USB 2.0 Type A	1x USB 2.0 Type A	1x USB 2.0 Type A
I/O	6x I/O	6x I/O	6x I/O
Serial	1x Serial Over RJ45	1x Serial Over RJ45	1x Serial Over RJ45
Antennas	2x SMA for 2x2 MIMO LTE Cellular, 2x RP-SMA for 2x2 MIMO WiFi, 1x SMA for GPS, 1x RP-SMA for *BT	4x SMA for 4x4 MIMO LTE Cellular, 2x SMA for 2x2 MIMO Ultra-High Band (CBRS/LAA) Cellular	4x SMAs for 4x4 MIMO Cellular, 2x SMAs for 2x2 MIMO Ultra-High Band Cellular (CBRS and LAA), 2x RP-SMAs for 2x2 MIMO WiFi, 1x SMA for GPS/GNSS, 1x RP-SMA for Bluetooth
Rating	IP64, MIL-STD 810G	IP64, MIL-STD 810G	IP64, MIL-STD 810G, *Class 1 Div II
Warranty	3 Years	3 Years	3 Years

Skyus 300 – Competitive Matrix



Attribute	Inseego Skyus 300	Cradlepoint IBR900-600M	Cradlepoint IBR900-1200M	Sierra Wireless RV55	MicroHard BulletCAT11
MSRP	\$799	\$899	\$999	\$789 (No WiFi), \$889	TBD
Cellular	Cat-18 LTE 1.2 Gbps/150 Mbps	Cat-11 LTE 600/150 Mbps	Cat-18 LTE 600/150 Mbps	Cat-12 LTE 600/150 Mbps	Cat-11 LTE 600/50 Mbps
CBRS/LAA	CBRS + LAA	No (Requires Dock + MC400-1200M)	No (Requires Dock + MC400-1200M)	CBRS + LAA	No
WiFi	a/b/g/n/ac WAVE 2, 2x2	a/b/g/n/ac, 2x2	a/b/g/n/ac, 2x2	a/b/g/n/ac, 1x1	No
Bluetooth	*BT 5.0, BLE LR, MESH	No	No	No	No
GPS	aGPS, a GNSS, Store and Forward, Local/Remote Port, Dead Reckoning	aGPS, aGNSS, Local/Remote Port, Store and Forward	aGPS, aGNSS, Local/Remote Port, Store and Forward	aGPS, aGNSS, Local/Remote Port, Store and Forward	aGPS, aGNSS, Local/Remote Port, Store and Forward
Ethernet	1x LAN, 1x WAN 10/100/1000 RJ45	1x LAN, 1x WAN 10/100/1000 RJ45	1x LAN, 1x WAN 10/100/1000 RJ45	1x LAN 10/100/1000 RJ45	1x LAN 10/100/1000 RJ45
USB	1x USB 2.0 Type A	1x USB 2.0 Type A	1x USB 2.0 Type A	1x USB 2.0 Type Micro B	1x USB 2.0 Type Micro B
I/O	6x I/O	2x I/O	2x I/O	2x I/O	2x I/O
Serial	1x Serial Over RJ45	No	No	1x DB9	1x DB9
Antennas	6x SMA	5x SMA	5x SMA	5x SMA	3x SMA
Rating	IP64	IP54	IP54	IP64	IP54
Hardware Warranty	3 Years	3 Years	3 Years	3 Years	TBD
Cloud and Support	1 Year (2 Year Promo)	1 Year	1 Year	1 Year	TBD

Skyus 500 – Competition Matrix



Attribute	Insego Skyus 500	Cradlepoint IBR900-1200M+Dock	Sierra Wireless MP70 Pro	Digi WR54	Cradlepoint AER2200-1200M	Cradlepoint IBR1700-1200M
MSRP	\$999	\$1568 (Requires MC400-1200M)	\$899	\$1156, \$1445 (Dual)	\$1229	\$1399
Cellular	Cat-18 LTE 1.2 Gbps/150 Mbps	Cat-18 LTE 1.2 Gbps/150 Mbps	Cat-12 LTE 600/150 Mbps	Cat-11 LTE 600/50 Mbps	Cat-18 LTE 1.2 Gbps/150 Mbps	Cat-18 LTE 1.2 Gbps/150 Mbps
CBRS/LAA	CBRS + LAA	CBRS + LAA	CBRS + LAA	No	CBRS + LAA	CBRS + LAA
WiFi	a/b/g/n/ac WAVE 2, 2x2	a/b/g/n/ac, 2x2	a/b/g/n/ac, 3x3	a/b/g/n/ac, 2x2	a/b/g/n/ac, 2x2, 2x2	a/b/g/n/ac WAVE 2, 3x3, 2x2
Bluetooth	*BT 5.0, BLE LR, MESH	No	No	Yes, No Specs	No	No
Navigation	aGPS, a GNSS, Store and Forward, Local/Remote Port, Dead Reckoning	aGPS, aGNSS, Local/Remote Port, Store and Forward	aGPS, aGNSS, Store and Forward, Local/Remote Port, Dead Reckoning	aGPS, aGNSS, Local/Remote Port, Store and Forward	No	aGPS, Multiple Redundant Servers
Ethernet	3x LAN, 1x WAN/POE 10/100/1000 RJ45	3x LAN, 1x WAN 10/100/1000 RJ45	3x LAN, 1x LAN 10/100/1000 RJ45	3x LAN, 1x WAN 10/100/1000 RJ45	9x LAN, 1x WAN 10/100/1000 RJ45	4x LAN, 1x WAN 10/100/1000 RJ45
Power over Ethernet	1x 802.3at PoE RJ45 Port	No	No	No	4x 802.3at POE RJ45 Ports	No
USB	1x USB 2.0 Type A	1x USB 2.0 Type A	1x USB 2.0 Type Micro-B	1x USB 3.0 Type A	1x USB 2.0 Type A	1x USB 2.0 Type A
I/O	6x I/O	10x I/O	8x I/O	No	2x I/O	8x I/O
Serial	1x Serial Over RJ45	No	1x DB9	1x DB9	1x Serial over RJ45	1x DB9
Antennas	10x SMA	5x SMA	6x SMA	8x SMA	7x SMA	10x SMA
Rating	IP64	IP54	IP64	IP54	IP20	IP54
Warranty	3 Years	3 Years	3 Years	3 Years	3 Years	3 Years
Cloud and Support	1 Year (2 Year Promo)	1 Year	1 Year	Not Included	1 Year	1 Year

Resources

Inseego's Partner Portal

Web: Partners.Inseego.com

Email: ChannelPartners@Inseego.com

Inseego Inside Sales

Call: (800)683-4818

Email: InsideSalesUS@Inseego.com

Learn more about:

www.Inseego.com